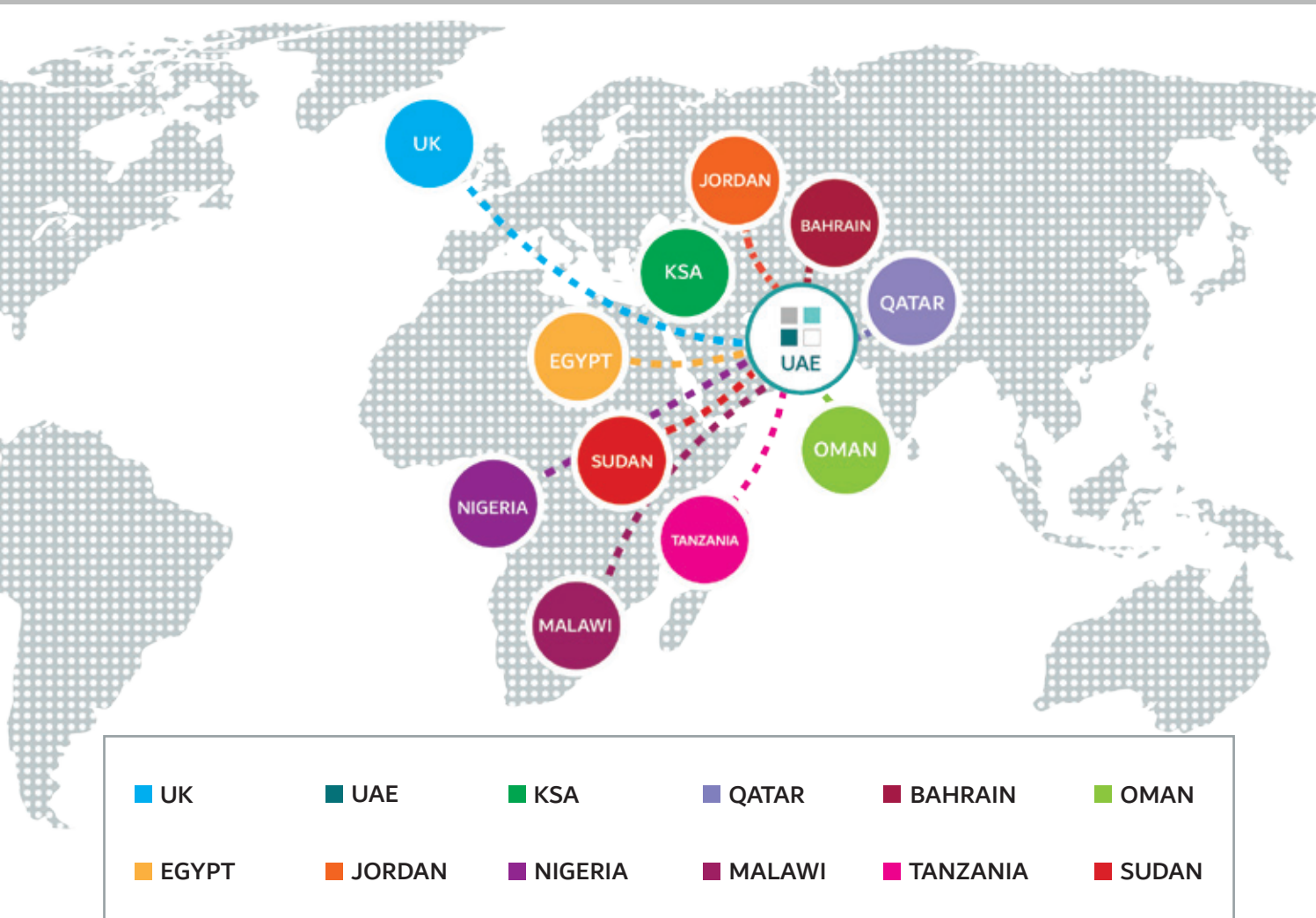


BLINDTEX WORLDWIDE NETWORK



 **blindtex**
BLINDS & CURTAINS
A BRAND OF INNOV8 PRODUCTS

Blindtex UAE
Area M6-10
Saif Zone Sharjah
United Arab Emirates
Tel: +971 6557 8051
Web: www.blindtex.com
Email: sales@blindtex.com

Blindtex UK
4B Wigan Road,
Bolton Lancashire,
BL3 5PZ - UK
Tel: +0161 818 9915
Web: www.blindtex.co.uk
Email: sales@blindtex.co.uk

 **blindtex**
BLINDS & CURTAINS

INTRODUCTION TO BLINDTEX

Blindtex is a premium UK-based window coverings' firm. For over 30 years our team has been providing quality products, exceptional brand experience and bespoke window treatments to various business sectors in the UK and MENA region.

Designed in the UK and manufactured in UAE, our products undergo rigorous testing and quality control, while our Research and Development department is constantly expanding our product range to meet the rapidly growing demand for more sophisticated products at accessible prices.

OUR VISION

Our vision is to build worldwide recognition and create an exceptional brand experience while enriching the quality of life for the customers we serve.



OUR MISSION

Our mission is to establish Blindtex as a premier window styling firm, while preserving our unwavering quality standards while we flourish. To always channel a passion for our clientele and be consistent in delivering the best customer service.



TOP MANAGEMENT

Meet Our Experienced Executive Team



MARTIN CAIRNS - Managing Director

With over 30 years in the industry and a proven track record in both retail and manufacturing. He has overseen the unprecedented growth of the business since he took over in 2013. He understands the value of a quality supply chain and ensures standards are maintained.

VICTORIA BARLAS - Product Design Manager

Coming from a UK textile town and using over 15 years of retailing experience in the window coverings sector, she has developed an eye for design. She now spends her time travelling to source fabrics, developing and delivery of new products to the market.



ZUBAIR ZAKERIA - General Manager

He is a self-driven General Manager at Blindtex with more than a decade of experience in financials & production management. He has been instrumental in establishing products, delivering a high level of service for all our clients and streamlining factory processes thereby providing strategic analyses for the management to determine projects and company profitability.

SAID DARKAOUI - Creative Art Director

A multidisciplinary Creative Art Director from Morocco heading the Media & Marketing Department at Blindtex. With over 22 years of UAE experience in the industry, he is a strong conceptual thinker and an outstanding visual and strategically focused designer with hands-on expertise in media & graphic designing software with Adobe, Autodesk & Google certification.



NICOLE CAIRNS - Operations Manager

Being raised in the family blinds business and having had the opportunity to work through the ranks in the UK, Nicole is now our operations manager in the UAE. She has a bachelors in International Business, and her focus is on making sure the company delivers a customer centred, quality-based approach, ensuring you, as our customers, are completely satisfied.



Flurry Grasses Teal



ROLLER BLINDS

Manual | Motorised

We have created exciting options to choose from, enabling you to create a personalised roller blind.

Our team has developed an exclusive to Blindtex roller blind cassette and bottom bar system, which can be customised with matching or contrasting fabric covers.

The vast fabric choice has been hand-picked by our in house design team with hundreds of printed fabric designs to choose from.

Through sheer innovation we have developed an unrivalled collection of digital prints all of which have been created uniquely for Blindtex, ensuring us to introduce the very latest roller blind within the industry.



Flame Azur



VERTICAL BLINDS

Manual | Motorised

Vertical blinds are the most versatile of products giving you effortless control over light and privacy.

Blindtex offers a huge range of fabrics in a variety of colours and textures to suit all environments.

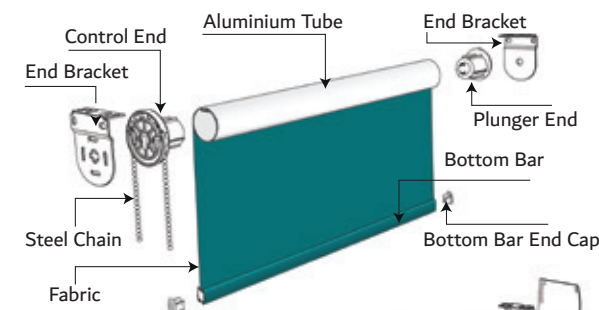
Our Vertical Blinds are operated using a sleek slim-line Vogue system or our unique Cassette System.

ROLLER MECHANISM

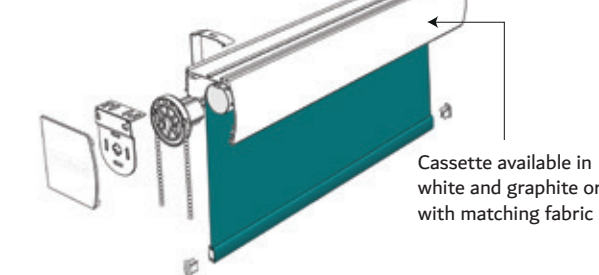
VERTICAL MECHANISM

Available In 3 Sizes
Small | Medium | Large

CLASSIC SYSTEM

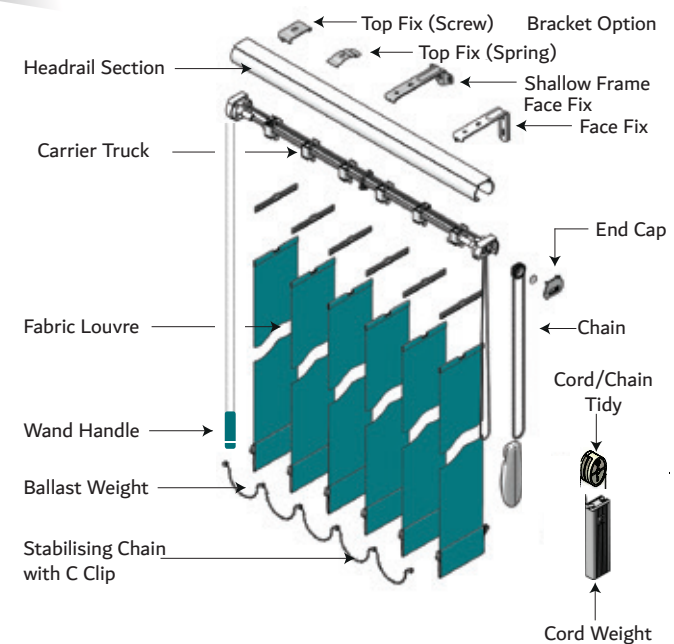


CASSETTE SYSTEM



Cassette available in white and graphite or with matching fabric

With Cord & Chain Operation



Nature Fossil



Shadow Green & Porto Ice

DUPLEX BLINDS

Manual | Motorised

Stylish and simple to use, Blindtex exclusive Duplex blinds filter light into a room using a two-phase system that switches from dim-out to sheer.

Simply operated via a chain system, alternate strips of dim out and sheer fabrics can be aligned to create a full sheer blind, a full dim out blind, or a mixture of the two.

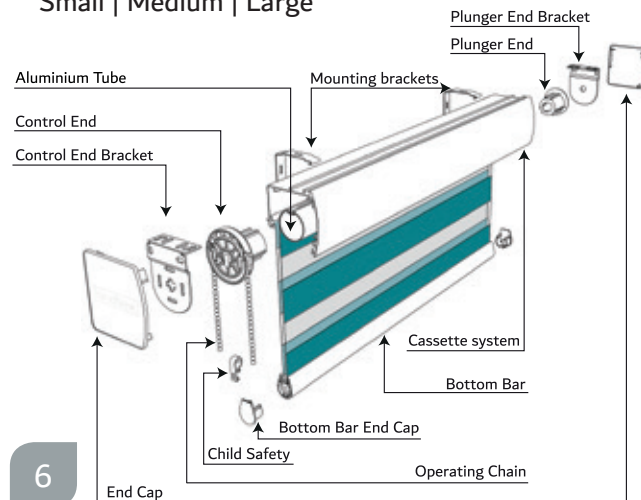
Available in a variety of colours, the Duplex blind works well in any environment.



Brix Cloud

DUPLEX MECHANISM

Available In 3 Sizes
Small | Medium | Large



Pearl Lime

CURTAINS

Pencil | Pinch | Eyelet Curtains | Easy Wave
Manual | Motorised

Nothing says luxury quite like a pair of sumptuous curtains at a window.

Available in a number of style options, from pinch pleat to eyelets and blackout lining to poly-cotton lining.

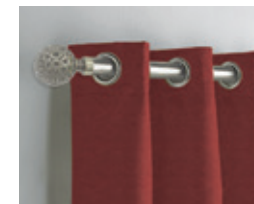
With various finishing touches such as tiebacks and cushion covers, our range of made to measure curtains offer the ideal bespoke solution.



Plains Mustard



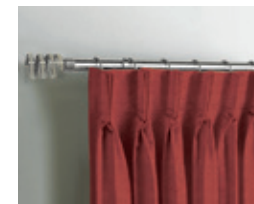
Pencil Pleat



Eyelet



Double Pinch Pleat



Triple Pinch Pleat



Easy Wave

ROMAN BLINDS

Manual | Motorised

Stylish and sophisticated, Roman blinds are the perfect choice to add a look of luxury to your home.

Whether used as a statement piece or teamed with curtains, the result is a captivating feature window.

Our range of beautiful fabrics offers a wonderful choice to suit all decor styles, with standard or blackout lining available for extra light control.



Solitaire Sky



Henley Mauve & Clarence Rosy



PANEL BLINDS

Manual | Motorised

Window coverage with a modern twist; our Blindex Panel blind range is ideal for large window spaces.

Panel blinds use a sliding system for smooth operation, neatly stacking panels to either side of the window when in the open position, or sliding over the width of the window to create a truly stunning feature in any room.

ROMEX BLINDS

Manual | Motorised

Romex blinds create a stunning focal point in any room. With a huge range of options in hard roller fabrics, these stitch-less Roman blinds are the modern alternative to the traditional Roman blind.

Available in standard, dim-out or blackout fabrics.

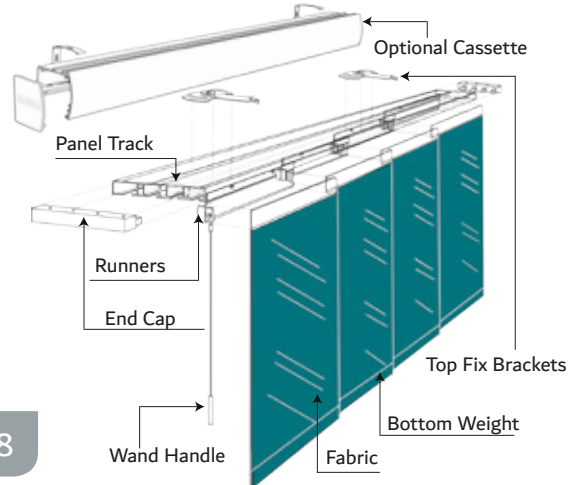


Branches Plum



PANEL MECHANISM

Available In 3 Sizes
Small | Medium | Large



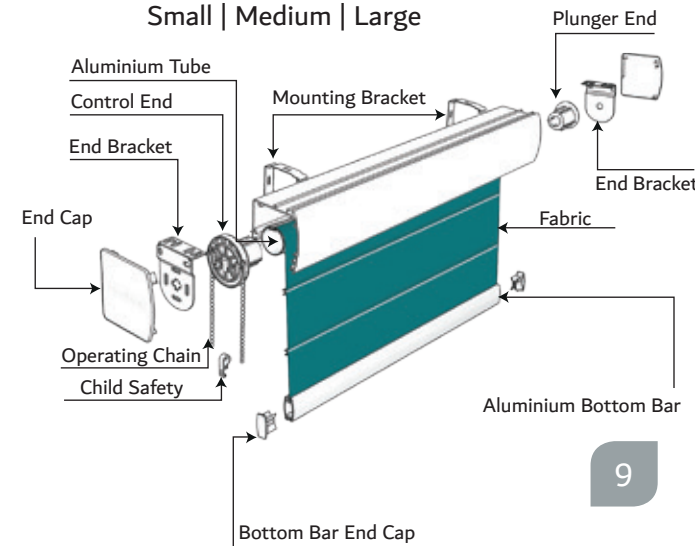
Radiance Teal



Dream Forest

ROMEX MECHANISM

Available In 3 Sizes
Small | Medium | Large





ALUMINIUM VENETIAN BLINDS

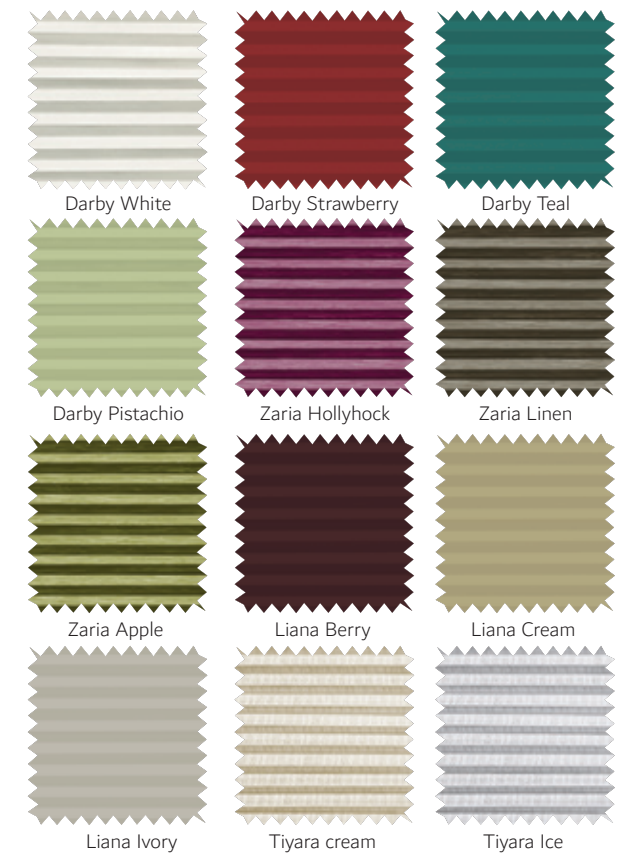
Offering light control in a range of fashionable colours, our made to measure Aluminium Venetian blinds suit any decor.

Operated by coordinating control cords, controlling light with the tilt and turn mechanism is simple and easy.

Designed with a unique curved head-rail system ensuring smooth effortless operation.

Blindtex exclusive Aluminium Venetian Blinds are available with colour matched accessories and mixed slat options to complete the look of a simple but beautiful blind.

Maximum Width: 2700mm
Minimum Width: 350mm



FAUX WOOD BLINDS

Manual | Motorised

Our made to measure range of Faux Wood Venetian blinds are available in a variety of wood colours.

The Faux Wood blind has a unique privacy slat system, which gives tighter closure of the slats.

The end result is elegant and will stand the test of time.



Maximum Width: 2460mm
Minimum Width: 450mm

Maximum Height: 4900mm
Maximum Sqr Mts: 4.65sq. meter.

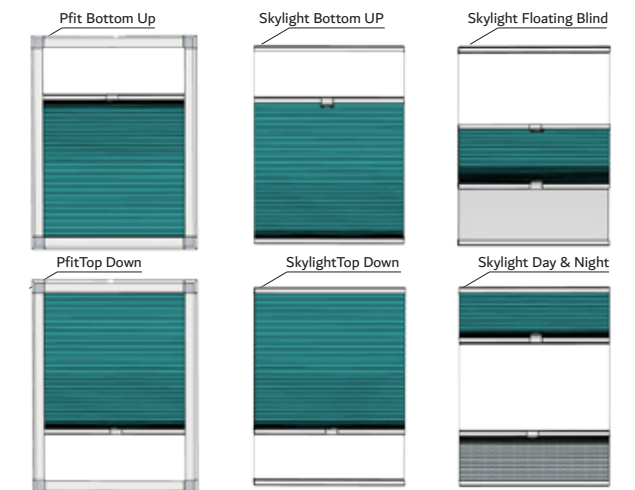
HONEYCOMB BLINDS

The unique Honeycomb structure of these blinds makes this range the most energy-efficient blind for the home or office.

Providing insulation at the window, it keeps the room warmer in the winter and cooler in the summer, showing energy savings of up to 25%.

Combined with our range of stylish colours and designs, The Honeycomb blind range is the perfect solution for any room.

HONEYCOMB 25mm



PERFECT FIT

Maximum drop: for widths <600mm = 1800mm
Maximum drop: for widths >600mm = 2000mm
Minimum Width: 130mm | Maximum Width: 1200mm

FLOATING

Maximum width: 780mm | Maximum drop: 3000mm

SKYLIGHT

Maximum width: 1100mm | Maximum drop: 3000mm



HOSPITAL

Cubicle Curtains & Tracks

Blindtex offers a wide range of cubicle curtains to fit every need and use, with specialist fabrics including anti-bacterial, anti-fungal and flame retardant.

All of our cubicle curtains are 100% polyester with inherent flame retardant properties. Designed specifically for healthcare use and washable at 60°.

Our hospital style cubicle curtains, also known as privacy curtains, are fabricated with or without mesh heading.



View our full range online here



Cubicle Curtains

MEDICATED

Blinds & Curtains

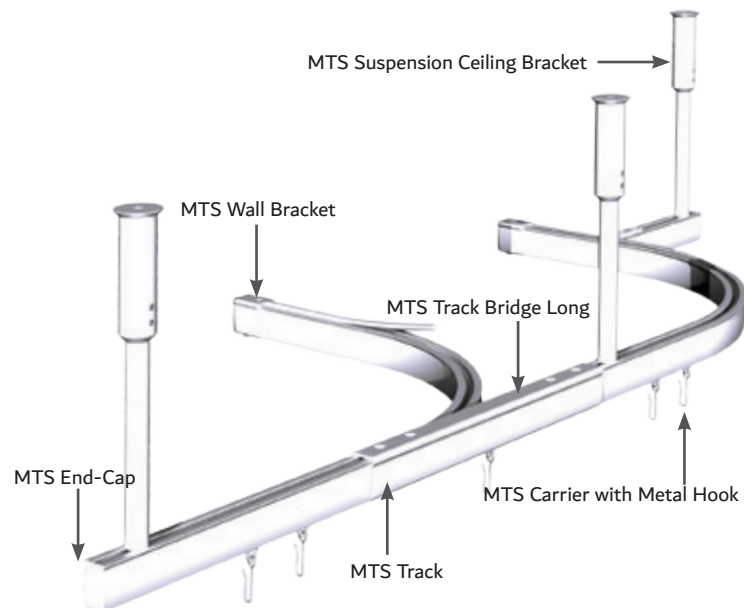
Blindtex is a renowned brand in UAE when it comes to offering high quality & made to measure medicated blinds and curtains specifically designed and tailored to the requirements of the medical industry.

We understand that hospitals, medical and health care centres do not compromise on quality and design which is why our Bespoke medical blinds and cubicle curtains are manufactured with great attention to detail featuring fire retardant and anti-bacterial fabrics thereby ensuring luxurious convenience for your patients, doctors & practitioners.



Medicated Shower Curtains

CUBICLE TRACKS (MTS)

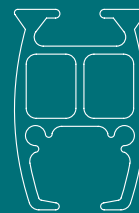


PRODUCT INFORMATION

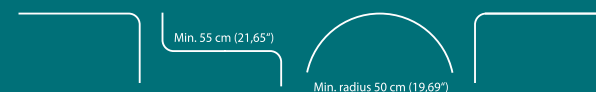
- Elegant and functional Medical Track System.
- Simple and quick installation.
- Bendable, both with an inside and outside bend with a 20 cm radius.
- Dustproof synthetic insert strip available.
- Bending Tool which can curve tracks easily.
- Colour: White.
- Lengths: 5.80 m (19') and 7 m (23')
- Rail quality: aluminium, chromated, powder coated.
- Factory-applied patented dry lubricant.

PROFILE

- Aluminium Extrusion
- Weight: 500 grams per meter (5,36 ounce per ft.)



BENDING



Disposable Curtains



Medicated Roller Blinds

VERTEX BLINDS

Manual | Motorised

Vertex blinds are the latest addition to our range, combining the luxurious look of curtains but operate with the versatility of vertical blinds. Vertex is ideally suited for large window spaces and bi-folding doors.

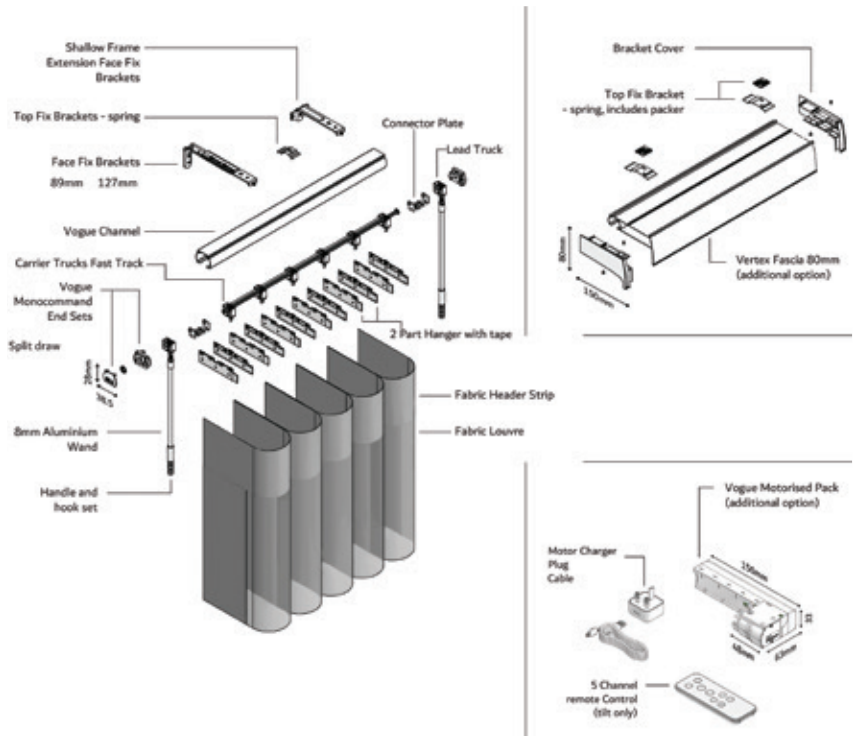
Each fabric louvre softly folds to create a uniform appearance and because each louvre hangs independently you can walk through the blind to your outdoor area, without disturbing the ambience in your room.



Stripe Purple



VERTEX MECHANISM



SHUTTERS

Perfect In Every Detail

The Blindtex range is available in a variety of different wood types and LVL, all beautifully crafted to suit a variety of needs and budgets.

Choose from an array of different shutter styles, louvres, colours and wood stains. Measured and handcrafted to fit your window beautifully.

Shutters are a stylish and versatile option, offering a vintage charm to contemporary minimalism they can suit all decor styles.



Signature Hardwood



Waterproof LVL



Classic Shiny Grey



Signature Hardwood

MOTORISED

Blinds & Curtains

We carry a wide range of Somfy motors for window blinds and curtains thereby ensuring absolute smart home experience. Our Glydea and Irismo Electric track by Somfy delivers high-end motorisation for curtains and the smooth mechanism enables quiet operation to offer you peace of mind (wirefree & with wire mechanisms available).

New Movelite curtain motors offer comfort at your fingertips, operated by remote, wall switch, Somfy application or smart home device.

Sonesse motors by Somfy is a one-stop solution for automated comfort as it is compatible with all interior window blinds.



HOME AUTOMATION

Blinds & Curtains

Smart home technology is becoming an everyday use in our lives today. With our motorised solutions, you can control your blinds and curtains through voice command and a mobile application.

With many advantages such as wake up timings and close my bedroom curtains' voice commands, it offers you ultimate convenience!

With the added element of safety, who will know you've gone on holiday when it seems like someone is home!



SONESSE MOTOR

Application



Roller Blinds



Roman Blinds



Duplex Blinds



Romex Blinds



Sonesse 40



Sonesse 50



Sonesse 30 WireFree

GLYDEA MOTOR

Application



Curtains



Panel Blinds



SMALL | MEDIUM | LARGE

Application



Roller Blinds



Roman Blinds



Duplex Blinds



Romex Blinds



Small



Medium



Large

CURTAIN MOTOR

Application



Curtains



Panel Blinds



BLINDTEX

Curtain Tracks



Click System



Corded Click System



Contract System



Corded Contract System



Design System



Easy Fold System



Glydea Track



Tracks Curtains

VOUGE HEADRAILS



White (White Trucks)



Piano Black (Black Trucks)



Brown (Black Trucks)



Brushed Steel (Black Trucks)



Graphite (Black Trucks)



Champagne Gold (Black Trucks)

CURTAINS

Metal Poles & Finials

GLOBE- 80MM



CREST- 95MM



CROWN-90MM



SPIRE- 85MM



TURRET- 65MM



ORB-80MM



SOVEREIGN END CAP- 25MM



SWIRL FINIAL- 110MM



POLES

- 28mm diameter poles coming in 6m length. Pole length over 3m will be cut in half for shipping – Joint connector will be supplied.
- Poles will be supplied with two brackets, and those over 2200mm long will be supplied with a third bracket and joint connector.

Signature COLLECTION

Choose from our exclusive designs with many shade options, you're sure to find exactly the right blind for your home.

Why not add a touch of luxury with our cassette and bottom bar (available in white and graphite or matching and contrasting fabric) and by choosing our motorised option, you can operate your blind at the touch of a button too.



FEATURES

- Textured & Patterned Designs
- Any Colour & Digital Print
- Logo Prints
- Colour Coordinated
- Lifetime Warranty
- Child Safe



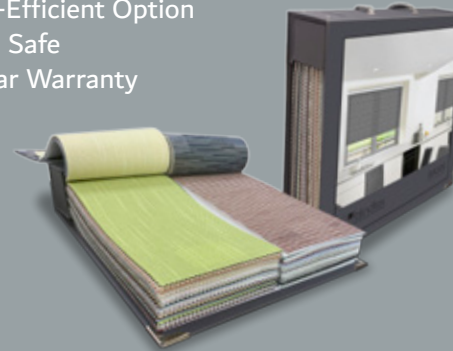
Watercolour Mist

BASIX

Blindtex offers a huge range of fabrics in a variety of colours and textures to suit all environments.

FEATURES

- Great For Commercial Properties
- Cost-Efficient Option
- Child Safe
- 1-Year Warranty



Porto Blue

CERTIFIED PRODUCTS

Blindtex aims to not only provide unbeatable service but also ensure high-quality product experiences which is why all our products from blinds to curtains are certified to cater to your specific requirements.

Our medicated blinds and curtains, specially designed for the healthcare industry are permanent flame retardant, antibacterial and our medicated fabrics from the classic collection are also Oekotex approved, and all our sunscreen roller blinds are certified by GreenGuard to ensure the quality of air in your homes.



UL ECOLOGO¹⁰

UL GREENGUARD GOLD¹¹



Silky Wine



SCHOOLS

COMMERCIAL

Blinds & Curtains

At Blindtex we understand that commercial window covering projects have different demands and requirements.

To suit all demands we offer fire retardant materials, anti-bacterial materials, an array of screen blinds and classic colours for our timeless vertical and roller blinds.

Better still, we offer a logo printing service, allowing you to print your brand on either side of your blind promoting your business from every angle.

Available on translucent, blackout and screen this is the ultimate corporate window blind.



GOVERNMENT OFFICES



YACHT



HOTELS



HOSPITALS



SPORTS CLUB



Blockout Roller Blind



Customised Digitally Printed Roller Blind

CUSTOMISED BLINDS

Give your windows a makeover with our customised printed blinds. Available on translucent, blackout, screen and textured fabrics you can design your blinds to complement your home decor.

It may be a family photo, to a design you love, from wallpaper you want to match in your room or that colour you just cannot find anywhere! We can do it all.

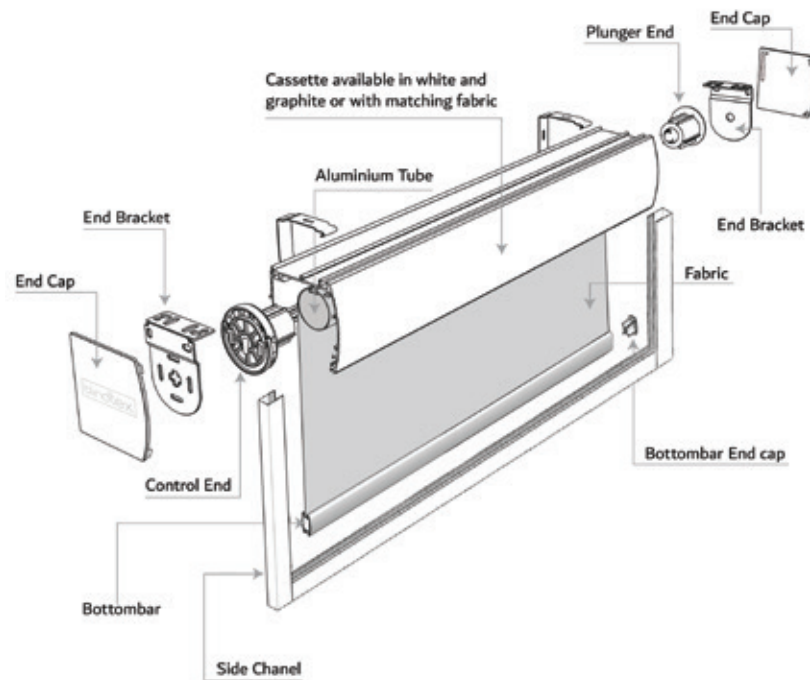
BLOCKOUT BLINDS

The ultimate solution for those who are sensitive to light!

If you are looking to make an existing window treatment darker it possible to fit this system with any roller blind and cassette system.

Available in a wide variety of colours and gloss to give your window that clean finish.

BLOCKOUT MECHANISM



Customised Digitally Printed Roller Blind



Derwent Anycolour Roller Blind

ANY COLOUR

Can't see the colour you want? We've got it covered! We've created a unique colour palette which includes thousands of beautiful colours. Choose the perfect colour for your home in either translucent, screen or blackout fabric. You can also provide us with your own Pantone or Ral colours if you require a custom colour.



 Rainbows	 Peony Pacific	 Aurora Blue	 Ikat Princess	 Wilderness Dreams	 Hot Air Balloons	DIGITAL DESIGNS Our exclusive digital designs are available in four fabric options  Screen Fabric  Translucent Fabric  Blackout Fabric		
 Sparrow Summer	 Branches Plum	 Gooseberry Moon	 Stars	 Sheep Way	 Cloud Burst Rainbow			
 Easter Egg	 BeeHouse Tangerine	 Connection Lemon	 Sea Leaves Lilac	 Orbit 70's	 Yellow Footed Boby		 Sailing Sea	 Freedom Happy
 Baby Bunting Danty	 Gentlemen's Polka	 Inception Camel	 Radiance	 Summer Leaves	 RayFest		 Derwent Almond	 Botanical Squash

Any Colour & Digital Print

OUR DESIGN ... YOUR COLOUR



DIGITAL PRINTS

Available in four fabric options. We will print your company logo or special image to your exact requirement

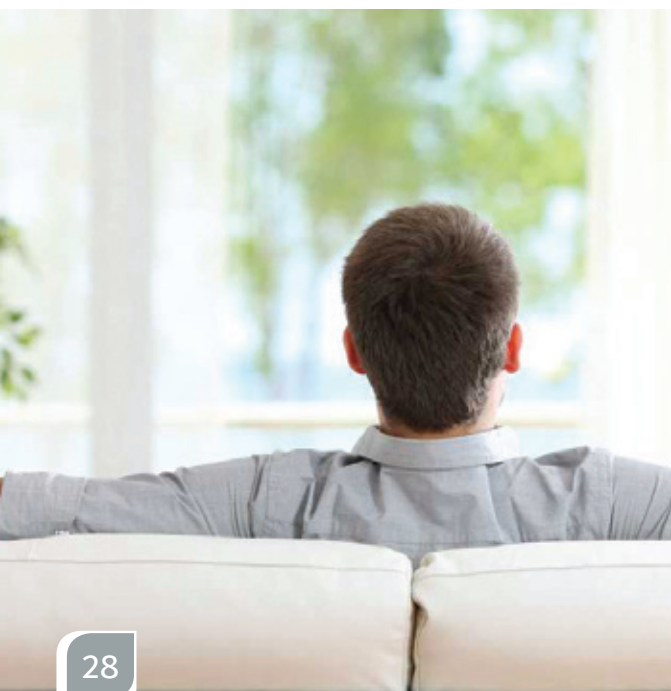
 High resolution pictures or artwork are required



CHILD SAFETY

MAKING IT SAFE! FREE CHILD SAFETY

Child safety is a primary concern for us all and we have taken measures to ensure all of our products are child-safe, to meet the legal requirements in the UK.



LIFETIME WARRANTY



We take great pride in the knowledge that we design and manufacture our blinds with the highest quality standards and the greatest attention to detail.

With this commitment in mind, every Signature blind is backed up with our unique "Lifetime Warranty".

See website (www.blindtex.com) for full details.

BLINDTEX PROJECTS

Here are some of the recent projects in the UAE and GCC

HOTELS		
Project	Area	Scope Of Work
Ibis Hotel - Rising Sun	Dubai	Sheer Curtains & Tracks Manual
Softtel Hotel	Dubai	Roller Blinds & Panel Blinds
Marriott Hotel	Dubai	Roller Blinds
Hilton Hotel	Dubai	Roller Blinds
Al Saraya Hotel	Abu Dhabi	
Khalidya Palace Hotel	Dubai	
New Edition Hotel	Dubai	
Millenium Hotel	Dubai	Main & Sheer Curtains With Tracks
Grand Mecure Hotel	Dubai	Sheer Curtains & Tracks Manual
Rotana Hotel	Dubai	Roller Blinds

RESIDENTIAL & COMMERCIAL		
Project	Area	Scope Of Work
Ecc Contracting - Emaar	Dubai Hills	Motorised Roller Blinds
Home Specialist	Nad Al Sheeba	Curtains & Roller Blinds
Quality Space	Dubai	Motorised Curtain Tracks & Roller Blinds
Al Shaya - Modon Villas	Abu Dhabi	Motorised Curtain Tracks & Roller Blinds
Prime Links - Villa Projects	Dubai	Shutter
Prime Links - Villa Projects	Sharjah	Motorised Curtain Tracks & Roller Blinds
Topco - Villa Project	Dubai	Motorised Curtain Tracks & Roller Blinds
Bafco - Dewa Project	Dubai	Roller Blinds
Feature Tower Jlt	Dubai	Roller Blinds Motorized
Tiger Group	Dubai	Main And Sheer Curtains
Trace Line Carpentry Works	Dubai	Sheer Curtains, Motorized
Fatin Home Furniture	Dubai	Roller Motorized With Side Channel
Shade Couture	Dubai	Printed Roller
European Location	Dubai	Vertex
Unesia (Gym)	Dubai	Roller
Binghatti Residence	Dubai	Main & Sheer

SCHOOLS		
Project	Area	Scope Of Work
Ambition World	Abu Dhabi	Manual & Motorised Roller Blinds
Chinese School	Dubai	Installation Of Roller Blinds
Pamir Private School	Sharjah	Roller & Vertical Blinds
Australian School	Dubai	Motorised Stage Curtain & Roller Blinds
Emirates National School	Dubai	Roller Blinds With Logo
Manthena American School		
Almajid Investments Group		Printed Roller, Plain Roller
Ambition World	Abu Dhabi	Printed Roller
American Gulf School	Sharjah	Printed Roller

MEDICAL		
Project	Area	Scope Of Work
Thumbay Hospital	Ajman	Roller Blinds & Privacy Curtains
King's College Hospital	Dubai	Privacy Curtains
Ppc Limited	Nigeria	Privacy Curtains
Abdullah Bin Omran Hospital	Ras Al Khaimah	Privacy Curtains
Ibrahim Bin Hamad Obaidullah	Fujairah	Roller Blinds
Dr Sulaiman Al Habib Hospital	Dubai	Roller, Vertical & Privacy Curtains
Armed Forces Hospital	Oman	Curtain Track
Qasmiya Hospital	Sharjah	Roller Blinds & Privacy Curtains
Rehabilitation Center	Dubai	Curtain Track
Clemenceau Medical Center	Dubai	Privacy Curtains
Kuwaiti Hospital	Dubai - Sharjah	Privacy Curtains
Sharjah Malaria Center	Sharjah	Roller Blinds
Shaam Hospital	Ras Al Khaimah	Roller Blinds & Privacy Curtains
Saudi German Hospital	Shj - Ajm & Auh	Privacy Curtains
Rak Hospital	Ras Al Khaimah	Roller Blinds
Venniyil Medical Centre	Sharjah	Roller Blinds
Rashid Hospital	Dubai	Privacy Curtains
Latifa Hospital	Dubai	Privacy Curtains
Najm Medical Clinic	Dubai	Privacy Curtains
Glucare Integrated Diabetes Center	Dubai	Roller Blinds & Privacy Curtains
Eve Medical Center	Rak & Ajm	Privacy Curtains
Al Badaya Clinic	Dubai	Vertical And Roller Blinds
Eye Hospital	Dubai	Roller Blinds And Privacy Curtains
Al Tadawi Medical Hospital	Dubai	Roller Blinds And Privacy Curtains
Dubai London Clinic Speciality Hospital	Dubai	Roller Blinds And Privacy Curtains
Millennium Hospital	Abu Dhabi	Roller Blinds And Privacy Curtains
Khorfakkan Hospital	Fujairah	Roller Blinds And Privacy Curtains
Ahliya Hospital	Abu Dhabi	Roller Blinds And Privacy Curtains
Al-Ain Center For Care	Al - Ain	Printed Blinds & Privacy Curtains
Canadian Specialist Hospital	Dubai	Privacy Curtains & Roller Blinds
Canadian Specialist Hospital	Dubai	Shower Curtain
Al Tadawi Specialty Hospital	Dubai	Privacy Curtains & Roller Blinds
Quttainah Medical Centre		
Al Qassimi Hospital Women	Dubai	Privacy Curtains
Jordan Field Hospital (Corona Centre)	Jordan	Privacy Curtains
Al Baddad Capital Fzco	Dubai	Privacy Curtains

